



7100 Technology Drive
West Melbourne, FL 32904
1-800-422-6281

Service Bulletin

BKSB-1004
Issue Date 09-29-00

Issue: Possible EPH communication failure at high temperature (140 F+).

Affected Models: EPH FLEX-MODE models serial number 630000 to 032999.

Recommended Action: As required, install modification as detailed below.

Parts and Equipment Requirements:

- 1- 6.8pf surface mount capacitor; P/N 1553-50488-401.
- 1- MMBF4393 surface mount transistor; P/N 4823-20020-201.
- 1 - Low wattage soldering iron suitable for surface mount repair.
- 1 - Phillips head screwdriver; #0 tip.

Procedure:

1. Turn off radio and remove battery.
2. Disassemble radio.
 - a) Remove 4 screws from rear cover of radio. (Fig. 1)
 - b) Pull front radio assembly straight out.
3. Check microprocessor (U1) for a white label marked 20061-803 or 7019-20061-803. If these markings are present this modification may be necessary. All other markings do not require modification.
4. On the System Board replace Q22 with new transistor, P/N 4823-20020-201. (Fig. 2)
5. On the System Board add capacitor C77, P/N 1553-50488-401, across resistor R98. (Fig.2)
6. Reassemble Radio.

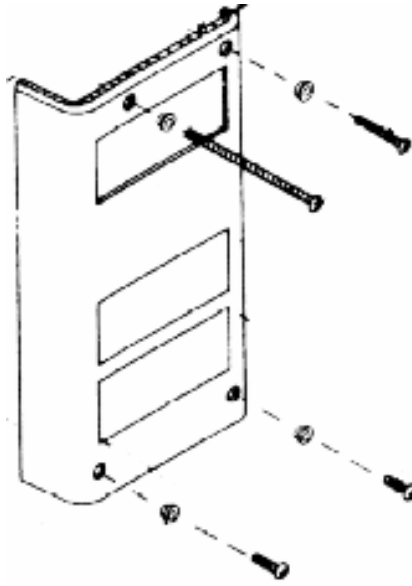


Figure 1

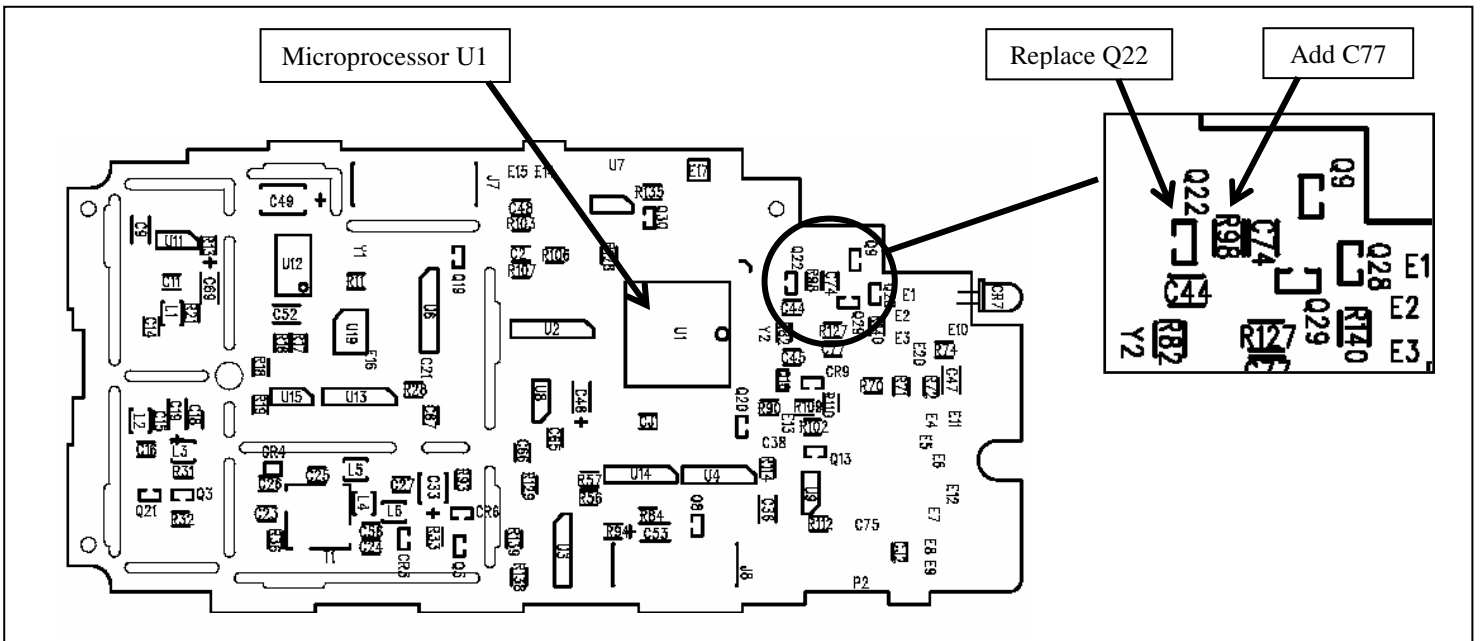


Figure 2