



7100 Technology Drive  
West Melbourne, FL 32904  
1-800-422-6281

## Service Bulletin

BKSB-1003  
Issue Date 09-29-00

**Issue:** GPH communication failure at high temperature (120–140F).

**Affected Models:** GPH Models serial number 940000 and previous.

**Recommended Action:** Install modification as detailed below.

### Parts and Equipment Requirements:

- 1- 51.1K Ohm surface mount resistor; P/N 4718-50317-198
- 1 - Low wattage soldering iron suitable for surface mount repair.
- 1 - Phillips head screwdriver; #0 tip.

### Procedure:

1. Turn off radio and remove battery.
2. Disassemble radio.
  - a) Remove 4 screws from rear cover of radio. (Fig. 1)
  - b) Pull front radio assembly straight out.
  - c) Gently slide white connector clip up and disconnect flex circuit from options board.
  - d) Remove five screws from options board and disconnect from keyboard. (Fig.2)
3. On the keyboard, remove R11. (Fig. 3)
4. Replace R11 with new resistor; P/N 4718-50317-198.
5. Reassemble Radio.

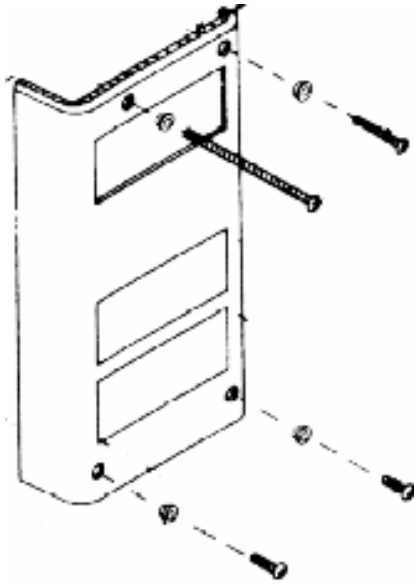


Figure 1

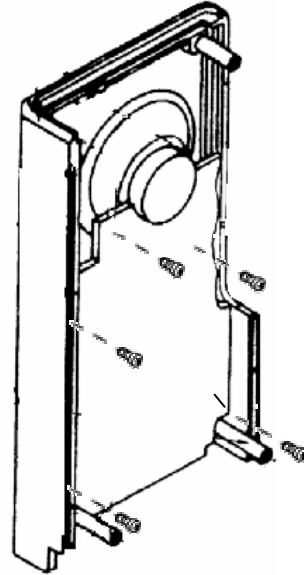


Figure 2

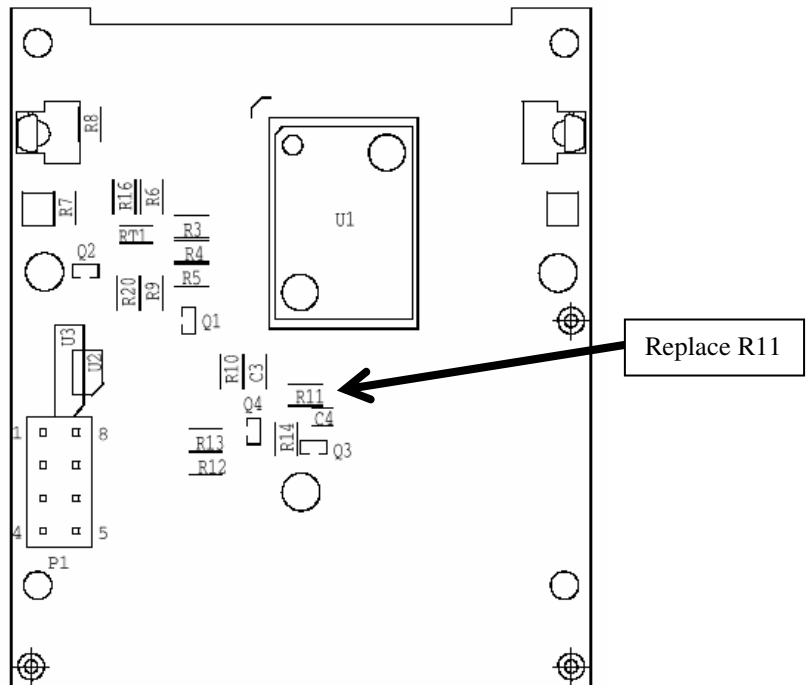


Figure 3